



INSTALLATION, OPERATION & MAINTENANCE INSTRUCTIONS
D'INSTALLATION, D'OPÉRATION ET DE MAINTENANCE INSTRUCTIONS
INSTRUCCIONES DE INSTALACIÓN, OPERACIÓN Y MANTENIMIENTO

1400 Division Road, West Warwick, RI 02893 ▲ T: 401.884.6300 ▲ F: 401.885.2567 ▲ www.amtrol.com

Champion® Family / 100 PSIG

Pre-pressurized Water System Well Tanks

Réservoirs de puits de système d'eau à pressurisation initiale **Tanques hidroneumáticos prepresurizados para sistemas de agua**

Models Include: Stand
Les modèles incluent: À support
Los modelos incluyen: Base



WARNING: REVIEW ALL GENERAL SAFETY AND PRODUCT INFORMATION ON PAGE 2 PRIOR TO INSTALLATION.

AVERTISSEMENT: EXAMINER TOUTES LES INFORMATIONS GÉNÉRALES DE SÉCURITÉ ET DE PRODUIT DE LA PAGE 5 AVANT L'INSTALLATION.

ADVERTENCIA: ANTES DE INSTALAR, REPASE TODA LA INFORMACIÓN GENERAL DE SEGURIDAD Y DEL PRODUCTO QUE SE ENCUENTRA EN LA PÁGINA 8.

Your well tank by AMTROL has been carefully assembled and factory tested. To enjoy the full service your well tank can provide, you should read and follow all of the instructions in this manual. When all installation steps have been completed, make sure you also follow the enclosed post-installation and start-up checklists before using your AMTROL product. You should also read carefully the sections describing proper product maintenance, and follow the required procedures as you use your well tank. **Return this booklet to its original envelope, and keep it with the well tank.** This manual may become out-of-date by later amendments. Check our web site, www.amtrol.com, or ask your AMTROL supplier for any updates relating to your product. **This product comes with a limited five (5) year warranty, see AMTROL Limited Warranty for details.** Our goal is to ensure you are fully satisfied with your new well tank. If any questions or concerns arise, call Technical Service at 401-535-1216.

Ce réservoir de puits AMTROL a été assemblé et testé à l'usine avec soin. Pour utiliser toute sa fonctionnalité, veuillez lire et suivre toutes les instructions de ce manuel. Après avoir effectué toutes les étapes de l'installation, il faut s'assurer de suivre aussi les listes ci-jointes de contrôle après installation et de démarrage avant d'utiliser ce produit AMTROL. Lire aussi avec soin les sections décrivant la maintenance appropriée à ce produit et suivre les procédures requises pour l'utilisation du réservoir de puits. Remettre en place ce livret dans sa pochette d'origine et le conserver avec le réservoir. Ce manuel peut être l'objet de révisions ultérieures. Consulter notre site Internet à www.amtrol.com ou demander au fournisseur AMTROL les mises à jour concernant ce produit. **Ce produit est vendu avec une garantie limitée de cinq (5) ans. Voir la garantie limitée d'AMTROL pour de plus amples informations.** Notre but est d'assurer l'entière satisfaction pour ce nouveau réservoir de puits. Pour toute question ou problème, contacter le Service technique au 401-535-1216.

Su tanque hidroneumático fabricado por AMTROL ha sido cuidadosamente ensamblado y probado en fábrica. Para que pueda disfrutar por completo el servicio que su tanque hidroneumático le puede proveer, le recomendamos que lea y siga todas las instrucciones que hay en este manual. Cuando complete todos los pasos de instalación, cerciórese de haber seguido también las listas de verificación pos instalación y de puesta en marcha, antes de usar su producto AMTROL. Asimismo, le recomendamos que lea cuidadosamente las secciones que describen el mantenimiento apropiado del producto, y que al usar su tanque hidroneumático siga los procedimientos requeridos. Vuelva a colocar este folleto en su sobre original y téngalo junto a su tanque. Este manual puede quedar desactualizado por enmiendas posteriores, por lo que le recomendamos que verifique en nuestro sitio de Web, www.amtrol.com, o que le pregunte a su proveedor de productos AMTROL, si hay alguna actualización para su producto. **Este producto tiene una garantía limitada de cinco (5) años; para mayor información remitirse a la Garantía Limitada de AMTROL.** Nuestra meta es asegurar su completa satisfacción con su nuevo tanque hidroneumático. Si tiene alguna pregunta o inquietud, llame al Servicio Técnico al 401-535-1216



THIS IS THE SAFETY ALERT SYMBOL. IT IS USED TO ALERT YOU TO POTENTIAL PERSONAL INJURY AND OTHER HAZARDS. OBEY ALL SAFETY MESSAGES THAT FOLLOW THIS SYMBOL TO REDUCE THE RISK OF POSSIBLE INJURY AS WELL AS PROPERTY DAMAGE.

VOICI LE SYMBOLE D'ALERTE DE SÉCURITÉ. IL EST UTILISÉ POUR SIGNALER LES RISQUES D'ACCIDENT OU AUTRES DANGERS. IL FAUT RESPECTER TOUS LES MESSAGES DE SÉCURITÉ QUI SUIVENT CE SYMBOLE AFIN DE RÉDUIRE LES RISQUES POTENTIELS DE BLESSURE OU DE DOMMAGE MATÉRIEL.

ESTE ES EL SÍMBOLO DE ALERTA DE SEGURIDAD. SE USA PARA ALERTARLE DE POSIBLES LESIONES Y OTROS PELIGROS. PARA REDUCIR EL RIESGO LESIONES, ASÍ COMO DE DAÑOS MATERIALES, OBEDEZCA TODOS LOS MENSAJES DE SEGURIDAD QUE ACOMPAÑAN A ESTE SÍMBOLO.

1. GENERAL SAFETY INFORMATION

⚠ WARNING THIS TANK, LIKE MOST TANKS UNDER PRESSURE, WILL OVER TIME CORRODE OR FAIL AND/OR MAY BURST AND/OR LEAK OR FLOOD (AND IN RARE CASES EXPLODE) WHICH CAN CAUSE SERIOUS OR FATAL PERSONAL INJURY AND PROPERTY DAMAGE. TO MINIMIZE RISK, A LICENSED PROFESSIONAL MUST INSTALL AND PERIODICALLY INSPECT AND SERVICE THE UNIT. A DRIP PAN, CONNECTED TO AN ADEQUATE DRAIN MUST BE INSTALLED IF LEAKING OR FLOODING CAN CAUSE PROPERTY DAMAGE.

⚠ WARNING READ CAREFULLY THE PRODUCT INSTALLATION, OPERATING AND MAINTENANCE MANUAL. FAILURE TO FOLLOW THE INSTRUCTIONS AND WARNINGS IN THE MANUAL MAY RESULT IN SERIOUS OR FATAL INJURY AND/OR PROPERTY DAMAGE, AND WILL VOID THE PRODUCT WARRANTY. THIS PRODUCT MUST BE INSTALLED BY A QUALIFIED PROFESSIONAL. FOLLOW ALL APPLICABLE LOCAL AND STATE CODES AND REGULATIONS, IN THE ABSENCE OF SUCH CODES, FOLLOW THE CURRENT EDITIONS OF THE NATIONAL PLUMBING CODE AND NATIONAL ELECTRIC CODE, AS APPLICABLE.

⚠ CAUTION AS IN ALL PLUMBING PRODUCTS AND WATER STORAGE VESSELS, BACTERIA CAN GROW IN YOUR WELL TANK, ESPECIALLY DURING TIMES OF NON-USE. CONSULT YOUR LOCAL PLUMBING OFFICIAL REGARDING ANY STEPS YOU MAY WISH TO TAKE TO SAFELY DISINFECT YOUR HOME'S PLUMBING SYSTEM.

⚠ WARNING FOLLOW ALL OF THE INSTRUCTIONS AND RECOMMENDATIONS CONTAINED IN THIS MANUAL, AND THE FOLLOWING ADDITIONAL SPECIFIC WARNINGS. FAILURE TO DO SO IS UNSAFE AND CAN CAUSE SERIOUS EXPLOSION, SERIOUS OR FATAL PERSONAL INJURY AND PROPERTY DAMAGE.

⚠ WARNING **EXPLOSION OR RUPTURE HAZARD.** THE WELL TANK MUST BE OPERATED SO THAT THE MAXIMUM SYSTEM PRESSURE DOES NOT EXCEED 150 PSI OR LOCAL CODE REQUIREMENTS WHICHEVER IS LESS.

⚠ WARNING A RELIEF VALVE WITH A MAXIMUM RELIEF PRESSURE OF 125 PSI MUST BE INSTALLED IN THE SYSTEM. THE RELIEF VALVE MUST BE CAPABLE OF DISCHARGING THE RATED CAPACITY OF THE PUMP AT THE MAXIMUM SYSTEM PRESSURE.

⚠ WARNING FAILURE TO UTILIZE A PROPERLY SIZED WELL TANK (BASED ON THE FOLLOWING SIZING INSTRUCTIONS) WILL RESULT IN EXCESSIVE STRAIN ON THE PUMP AND MAY ULTIMATELY LEAD TO PRODUCT FAILURE, LEAKING OR FLOODING AND PROPERTY DAMAGE.

⚠ WARNING **DANGER! EXPLOSION HAZARD.** IF YOU ADJUST THE PRE-CHARGE PRESSURE OR ADD PRESSURE TO A TANK THAT IS CORRODED OR DAMAGED OR WITH DIMINISHED INTEGRITY THE TANK CAN BURST OR EXPLODE, POSSIBLY CAUSING SERIOUS OR FATAL PERSONAL INJURY AND/OR PROPERTY DAMAGE.

- ONLY ADJUST THE PRE-CHARGE AS DESCRIBED IN THIS MANUAL WHEN THE TANK IS NEW OR WHEN THE INTEGRITY OF THE TANK AND LACK OF INTERNAL OR EXTERNAL CORROSION IS CONFIRMED.
- ONLY QUALIFIED PROFESSIONALS SHOULD CHECK, ADJUST OR RE-CHARGE THE PRE-CHARGE OF TANKS.

⚠ WARNING **DANGER! EXPLOSION HAZARD.** WHEN THE WELL TANK HAS BEEN IN SERVICE AND A CHANGE TO A HIGHER PRE-CHARGE PRESSURE IS NECESSARY DUE TO A REQUIRED CHANGE IN THE PRESSURE SWITCH SETTING, FAILURE TO FOLLOW INSTRUCTIONS BELOW CAN CAUSE A RUPTURE OR EXPLOSION, POSSIBLY CAUSING SERIOUS OR FATAL PERSONAL INJURY, AND/OR PROPERTY DAMAGE. DO NOT ADJUST OR ADD PRESSURE IF THERE HAS BEEN A LOSS OF AIR. DO NOT ADJUST THE PRE-CHARGE PRESSURE IF THERE IS VISIBLE EXTERIOR CORROSION. DO NOT ADJUST THE PRE-CHARGE PRESSURE IF THERE HAS BEEN A REDUCTION OF THE PUMP CYCLE TIME OR THE PRE-CHARGE PRESSURE COMPARED TO ITS INITIAL SETTING. THIS IS BECAUSE REDUCTION IN PUMP CYCLE TIME CAN RESULT FROM LOSS OF TANK AIR PRESSURE WHICH IN TURN CAN MEAN THERE MAY BE INTERNAL CORROSION AND ANY RE-PRESSURIZATION OR ADDITIONAL PRESSURE COULD RESULT IN RUPTURE OR EXPLOSION.

⚠ WARNING **CHLORINE & AGGRESSIVE WATER:** THE WATER QUALITY CAN SIGNIFICANTLY INFLUENCE THE LIFE OF THIS PRODUCT. YOU SHOULD TEST FOR CORROSIVE ELEMENTS, ACIDITY, TOTAL SOLIDS AND OTHER RELEVANT CONTAMINANTS, INCLUDING CHLORINE AND TREAT YOUR WATER APPROPRIATELY TO INSURE SATISFACTORY PERFORMANCE AND PREVENT PREMATURE FAILURE. FOR YOUR SAFETY, THE INFORMATION IN THIS MANUAL MUST BE FOLLOWED TO MINIMIZE THE RISK OF ELECTRIC SHOCK, PROPERTY DAMAGE OR PERSONAL INJURY. PROPERLY GROUND TO CONFORM WITH ALL GOVERNING CODES AND ORDINANCES.

⚠ WARNING INSTALL OR STORE WHERE TANK WILL NOT BE EXPOSED TO TEMPERATURES BELOW FREEZING OR ABOVE 100°F. WATER FREEZING IN THE SYSTEM WILL BREAK IT. DO NOT ATTEMPT TO TREAT WATER OVER 100°F.

⚠ WARNING USE ONLY LEAD-FREE SOLDER AND FLUX FOR ALL SWEAT-SOLDER CONNECTIONS, AS REQUIRED BY STATE AND FEDERAL CODES.

NOTE: INSPECT FOR SHIPPING DAMAGE AND NOTIFY FREIGHT CARRIER OR STORE WHERE PURCHASED IMMEDIATELY IF DAMAGE IS PRESENT. TO AVOID RISK OF PERSONAL INJURY AND PROPERTY DAMAGE, IF THE PRODUCT APPEARS TO BE MALFUNCTIONING OR SHOWS SIGNS OF CORROSION, CALL A QUALIFIED PROFESSIONAL IMMEDIATELY. CURRENT COPIES OF THE PRODUCT MANUAL CAN BE VIEWED AT WWW.AMTROL.COM. USE PROPER SAFETY EQUIPMENT WHEN INSTALLING.

FAILURE TO FOLLOW THE ABOVE WARNINGS MAY RESULT IN SERIOUS OR FATAL PERSONAL INJURY OR DEATH AND/OR PERSONAL PROPERTY DAMAGE, AND WILL VOID THE WARRANTY.

2. LIMITED WARRANTY

Products covered: all Products manufactured by AMTROL Inc. ("AMTROL").

This warranty cannot be transferred – it is extended only to the original Purchaser or First User of the Product. By accepting and keeping this Product you agree to all of the warranty terms and limitations of liability described below.

IMPORTANT WARNING – READ CAREFULLY THE INSTALLATION, OPERATING AND MAINTENANCE INSTRUCTIONS MANUAL ("MANUAL") to avoid serious personal injury and/or property damage and to ensure safe use and proper care of this product

Who Receives AMTROL's Product Warranty

All purchasers or first users of the new Product. The Warranty is non-transferable.

What is covered by this Warranty

AMTROL warrants to the purchaser or first user of the new Product that at the time of manufacture, the Product is free from defects in material and workmanship. **Any warranty claim must be made within one (1) year unless another time period is set forth in the Manual, measured from the time the Product was purchased.**

What AMTROL Will Do If You Have a Covered Warranty Claim

In the event of a breach of the foregoing warranty, AMTROL will at its option either make repairs to correct any defect in material or workmanship or supply and ship either new or used replacement parts or products. AMTROL will not accept any claims for labor or other costs.

What This Warranty Does Not Cover - Exclusions and Limitations

This Warranty does not cover any failure or problem unless it was caused by a defect in material or workmanship. In addition, this Warranty shall not apply:

- if the Product is not correctly installed, operated, repaired or maintained as described in the Manual provided with the Product;
- to any failure or malfunction resulting from abuse (including freezing); improper or negligent: handling, shipping (by anyone other than AMTROL), storage, use, operation, accident; or alteration, lightning, flood or any other environmental condition;
- to any failure or problem resulting from the use of the Product for any purpose other than those specified in the accompanying Manual or alteration of any part of the product;
- this Warranty does not cover labor costs, shipping charges, service charges, delivery expenses, administrative fees or any costs incurred in removing or reinstalling the Product;
- this Warranty does not cover any claims submitted to AMTROL or an AMTROL-authorized distributor or retailer more than 30 days after expiration of the applicable warranty time period described in this Warranty;
- this Warranty also does not cover repair or replacement costs not authorized in advance by AMTROL.

Additional Warranty Limitations

ALL IMPLIED WARRANTIES, INCLUDING THE IMPLIED WARRANTIES OF MERCHANTABILITY AND FITNESS FOR A PARTICULAR PURPOSE ARE SPECIFICALLY DISCLAIMED.

Limitations of Remedies

THE REMEDIES CONTAINED IN THIS WARRANTY ARE THE PURCHASER'S OR FIRST USER'S EXCLUSIVE REMEDIES. IN NO CIRCUMSTANCES WILL AMTROL BE LIABLE FOR MORE THAN, AND PURCHASER-FIRST USER'S REMEDIES SHALL NOT EXCEED, THE PRICE PAID FOR THE PRODUCT. IN NO CASE SHALL AMTROL BE LIABLE FOR ANY SPECIAL, INDIRECT, INCIDENTAL OR CONSEQUENTIAL DAMAGES, WHETHER RESULTING FROM NON-DELIVERY OR FROM THE USE, MISUSE, OR INABILITY TO USE THE PRODUCT OR FROM DEFECTS IN THE PRODUCT OR FROM AMTROL'S OWN NEGLIGENCE OR OTHER TORT. This exclusion applies regardless of whether such damages are sought for breach of warranty, breach of contract, negligence, strict liability, in tort or under any other legal theory. Such damages include, but are not limited to, inconvenience, loss or damage to property, mold, loss of profits, loss of savings or revenue, loss of use of the Products or any associated equipment, facilities, buildings or services, downtime, and the claims of third parties including customers.

What To Do If You Have a Problem Covered By This Warranty

Any covered Warranty service must be authorized by AMTROL. Contact the person from whom you purchased the Product, who must receive authorization from an AMTROL distributor or AMTROL. If you do not receive a prompt response, call AMTROL directly at 877-517-9673. Notice of a Warranty claim should be submitted by the authorized distributor to AMTROL at the following address:

AMTROL Inc., Warranty Claim Dept.
1400 Division Road, West Warwick, RI 02893

Before AMTROL determines to provide any replacement part or Product, it may as a pre-condition to making such a determination require that the warranty claimant ship the Product, postage prepaid to an authorized AMTROL distributor, or to AMTROL and provide proof of purchase evidenced by the original sales receipt or Product registration.

Replacement Product Warranty

In case of replacement of a Product or any component part, AMTROL reserves the right to make changes in the design, construction, or material of the substitute components or products, which shall be subject to all of the terms and limitations of this Warranty, except that the applicable warranty periods shall be reduced by the amount of time the warranty claimant owned the product prior to submitting notification of the warranty claim.

Revised 01/11

3. PRE-INSTALLATION CHECKLIST

IMPORTANT STEPS AND DECISIONS REQUIRED BEFORE INSTALLATION

- THIS PRODUCT MUST BE INSTALLED AND MAINTAINED BY A LICENSED PROFESSIONAL. IN ADDITION TO THE INSTRUCTIONS IN THIS MANUAL, FOLLOW ALL APPLICABLE LOCAL AND STATE CODES OR IN THE ABSENCE OF SUCH CODES, THE CURRENT EDITIONS OF THE NATIONAL PLUMBING CODE AND THE NATIONAL ELECTRIC CODE.
- DRIP PAN AND DRAIN: To avoid leaking and/or flooding damage, install with a drip pan connected to an adequate working drain kept clear at all times.

4. REQUIRED COMPONENTS AND ACCESSORIES CHECKLIST

VERTICAL STAND MODELS

- | | |
|--|--|
| <input type="checkbox"/> 1. PRESSURE SWITCH | <input type="checkbox"/> 5. VALVE DRAIN |
| <input type="checkbox"/> 2. RELIEF VALVE | <input type="checkbox"/> 6. PRESSURE GAUGE |
| <input type="checkbox"/> 3. 1 UNION | <input type="checkbox"/> 7. TANK-TEE |
| <input type="checkbox"/> 4. 1 SHUT OFF VALVE | |

WARNING **MAXIMUM WORKING PRESSURES**
Every well tank is air tested to 100 psig, the maximum working pressure for the well tank line.

WARNING **RELIEF VALVE RECOMMENDED**
It is recommended that a relief valve be installed which is set to open at excessive pressures (75 psig or more). This will protect your well tank and other system components should the pressure switch malfunction and fail to shut the pump off. The relief valve should be installed at the connection of your well tank to the system piping and have a discharge equal to the pump's capacity at 75 psig.

5. INSTALLATION INSTRUCTIONS

Location

Proper well tank Location

The well tank should be installed as close as possible to the pressure switch. This will reduce the adverse effects of added friction loss and pressure switch bouncing, and the difference in elevation between well tank and switch.

WARNING **DANGER! EXPLOSION HAZARD. WHEN THE WELL TANK HAS BEEN IN SERVICE AND A CHANGE TO A HIGHER PRE-CHARGE PRESSURE IS NECESSARY DUE TO A REQUIRED CHANGE IN THE PRESSURE SWITCH SETTING, FAILURE TO FOLLOW INSTRUCTIONS BELOW CAN CAUSE A RUPTURE OR EXPLOSION, POSSIBLY CAUSING SERIOUS OR FATAL INJURY, AND/OR PROPERTY DAMAGE.**

- DO NOT ADJUST OR ADD PRESSURE IF THERE HAS BEEN A LOSS OF AIR.
- DO NOT ADJUST THE PRE-CHARGE PRESSURE IF THERE IS VISIBLE EXTERIOR CORROSION.
- DO NOT ADJUST THE PRE-CHARGE PRESSURE IF THERE HAS BEEN A REDUCTION OF THE PUMP CYCLE TIME OR THE PRE-CHARGE PRESSURE COMPARED TO ITS INITIAL SETTING. THIS IS BECAUSE REDUCTION IN PUMP CYCLE TIME CAN RESULT FROM LOSS OF TANK AIR PRESSURE WHICH IN TURN CAN MEAN THERE MAY BE INTERNAL CORROSION AND ANY RE-PRESSURIZATION OR ADDITIONAL PRESSURE COULD RESULT IN RUPTURE OR EXPLOSION.

Adjusting Precharge

Prior to Installation

All well tanks are shipped with a standard precharge of 38 psig.

- Step 1.** Remove protective air valve cap
- Step 2.** Check precharge pressure should be + or - 10% of the factory setting)
- Step 3.** Release or add air as necessary to make the precharge pressure 2 psig below the pressure switch pump cut-in setting. (Example, if you have a well tank with a precharge of 38 psig, and you have a pressure switch setting of 30/50 psig, adjust precharge of your well tank from 38 psig to 28 psig.)
- Step 4.** Replace protective air valve cap. Peel off backing of label and apply over air valve cap.

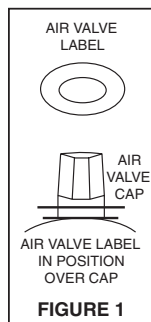


FIGURE 1

WARNING **Explosion Hazard. Failure to follow these instructions can cause a rupture or explosion possibly causing serious or fatal injury, flooding, and / or property damage.**

System Connection

1. Locate your well tank in the final desired location.
2. Level as necessary.
3. To eliminate friction loss, do not reduce the pipe size from the pump to the well tank.

Start Up

Fine Tuning Procedures

Many times the actual pressure switch will vary from the standard pressure range indicated. These variations could cause a momentary lag of water delivery, as the pressure switch is not "tuned to the well tank precharge pressure".

1. Fill the system and well tank until pump cuts off.
2. Open one or more fixtures to drain the well tank.
3. If there is a momentary pause in the water flow from the time the well tank is emptied and the pump starts, adjust pump cut-in setting clockwise slightly (see figure 2).
4. Close fixtures and refill well tank to pump cut off. Check time to fill.
5. Open fixtures and see if pause in water is eliminated. If not, continue adjusting pressure switch.

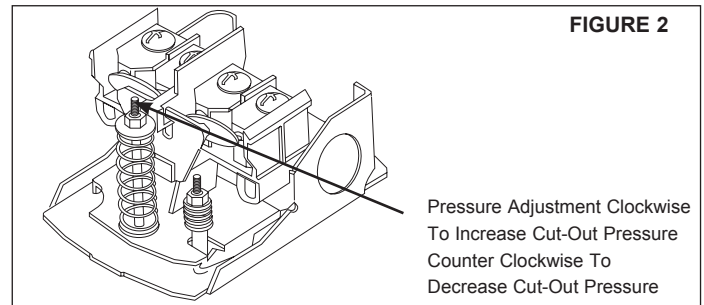


FIGURE 2

Adjusting Precharge After Installation

- Step 1.** Drain tank of all water. Check precharge pressure in the well tank.
- Step 2.** Release or add air as necessary to make the precharge pressure 2 psig below the pressure switch pump cut-in setting.

1. INFORMATIONS GÉNÉRALES DE SÉCURITÉ

⚠ AVERTISSEMENT COMME LA PLUPART DES RÉSERVOIRS SOUS PRESSION, CE RÉSERVOIR SE CORRODERA OU SE ROMPRA AU BOUT D'UN CERTAIN TEMPS, ET/OU IL POURRA ÉCLATER ET/OU PRÉSENTER DES FUITES OU CAUSER UNE INONDATION (ET, DANS DES CAS RARES, IL POURRA EXPLOSER), QUI POURRAIT CAUSER DES BLESSURES GRAVES OU LA MORT, AINSI QUE DES DOMMAGES MATÉRIELS. POUR RÉDUIRE LES RISQUES AU MINIMUM, UN SPÉCIALISTE HABILITÉ DOIT INSTALLER ET, PÉRIODIQUEMENT, INSPECTER ET FAIRE L'ENTRETIEN DE L'APPAREIL. UNE CUVE D'ÉGOUTTEMENT RACCORDÉE À UNE ÉVACUATION ADÉQUATE DOIT ÊTRE INSTALLÉE SI LES FUITES OU L'INONDATION PEUVENT CAUSER DES DOMMAGES MATÉRIELS.

⚠ AVERTISSEMENT COMME DANS TOUS LES PRODUITS DE TUYAUTERIE ET LES RÉSERVOIRS DE STOCKAGE D'EAU, DES BACTÉRIES PEUVENT SE FORMER DANS LE RÉSERVOIR DE PUIT, SURTOUT QUAND IL N'EST PAS UTILISÉ. CONSULTER UN SPÉCIALISTE LOCAL DE TUYAUTERIE POUR DÉTERMINER LES MESURES À PRENDRE POUR DÉSINFECTER EN TOUTE SÉCURITÉ LE SYSTÈME DE TUYAUTERIE RÉSIDENTIEL.

⚠ AVERTISSEMENT SUIVRE TOUTES LES INSTRUCTIONS ET RECOMMANDATIONS CONTENUES DANS CE MANUEL ET LES AVERTISSEMENTS SPÉCIFIQUES ADDITIONNELS CI-DESSOUS. SINON, CELA CRÉERAIT UNE CONDITION D'INSÉCURITÉ QUI POURRAIT CONDUIRE À UNE EXPLOSION SÉRIEUSE, DES BLESSURES GRAVES OU LA MORT, ET DES DOMMAGES MATÉRIELS.

⚠ AVERTISSEMENT **RISQUE D'EXPLOSION OU DE RUPTURE.** UNE SOUPAPE DE DÉTENTE DOIT ÊTRE INSTALLÉE POUR EMPÊCHER LES PRESSIONS SUPÉRIEURES À 8,8 KG/CM² (125 PSIG) OU À LA VALEUR MAXIMALE EXIGÉE PAR LE CODE LOCAL (SI INFÉRIEURE).

⚠ AVERTISSEMENT **RISQUE D'EXPLOSION OU DE RUPTURE.** LE RÉSERVOIR DE PUIT DOIT ÊTRE UTILISÉ DE FAÇON QUE LA PRESSION NE DÉPASSE PAS 125 PSIG.

⚠ AVERTISSEMENT SI UN RÉSERVOIR DE PUIT DIMENSIONNÉ CORRECTEMENT (EN FONCTION DES INSTRUCTIONS DE DIMENSIONNEMENT CI-DESSOUS) N'EST PAS UTILISÉ, LA POMPE SERA SOUMISE À UNE CHARGE EXCESSIVE, CE QUI POURRAIT FINALEMENT CONDUIRE À LA DÉFAILLANCE, AUX FUITES OU À L'INONDATION DU PRODUIT ET À DES DOMMAGES MATÉRIELS.

⚠ AVERTISSEMENT **DANGER ! RISQUE D'EXPLOSION.** SI ON AJUSTE LA PRESSION DE PRÉCHARGE OU ON AUGMENTE LA PRESSION D'UN RÉSERVOIR CORRODÉ OU ENDOMMAGÉ OU DONT L'INTÉGRITÉ EST RÉDUITE, LE RÉSERVOIR PEUT ÉCLATER OU EXPLOSER, CE QUI POURRAIT CAUSER DES BLESSURES GRAVES OU MORTELLES ET/OU DES DOMMAGES MATÉRIELS.
• AJUSTER SEULEMENT LA PRESSION DE CHARGE INITIALE COMME INDIQUÉ DANS CE MANUEL LORSQUE LE RÉSERVOIR EST NEUF OU LORSQUE SON INTÉGRITÉ ET L'ABSENCE DE CORROSION INTERNE OU EXTERNE ONT ÉTÉ CONFIRMÉES.
• SEULS LES PROFESSIONNELS QUALIFIÉS PEUVENT VÉRIFIER, AJUSTER OU RECHARGER LA PRÉCHARGE DES RÉSERVOIRS.

⚠ AVERTISSEMENT **DANGER ! RISQUE D'EXPLOSION.** LORSQUE LE RÉSERVOIR DE PUIT A ÉTÉ EN SERVICE PENDANT UN CERTAIN TEMPS ET LA PRESSION DE CHARGE INITIALE DOIT ÊTRE AUGMENTÉE À CAUSE D'UN CHANGEMENT NÉCESSAIRE DU RÉGLAGE DU PRESSOSTAT, SI LES INSTRUCTIONS CI-DESSOUS NE SONT PAS SUIVIES, CELA PEUT CAUSER UNE RUPTURE OU UNE EXPLOSION, ET POURRAIT ENTRAÎNER DES BLESSURES GRAVES OU MORTELLES ET/OU DES DOMMAGES MATÉRIELS.
• NE PAS AJUSTER NI AUGMENTER LA PRESSION SI DE L'AIR S'EST ÉCHAPPÉ.
• NE PAS AJUSTER LA PRESSION DE CHARGE INITIALE S'IL EXISTE DES SIGNES DE CORROSION À L'EXTÉRIEUR.
• NE PAS AJUSTER LA PRESSION DE CHARGE INITIALE EN CAS DE RÉDUCTION DU TEMPS DE CYCLE DE LA POMPE OU DE LA PRESSION DE CHARGE INITIALE PAR RAPPORT À SA VALEUR D'ORIGINE. EN EFFET, LA RÉDUCTION DU TEMPS DE CYCLE DE LA POMPE PEUT ÊTRE DUE À LA PERTE DE PRESSION D'AIR DANS LE RÉSERVOIR, LAQUELLE PEUT ÊTRE CAUSÉE PAR LA CORROSION INTERNE, ET DANS CE CAS LA REMISE SOUS PRESSION OU L'AUGMENTATION DE LA PRESSION POURRAIT CONDUIRE À UNE RUPTURE OU À UNE EXPLOSION.

⚠ AVERTISSEMENT LA QUALITÉ DE L'EAU PEUT AFFECTER CONSIDÉRABLEMENT LA DURÉE DE SERVICE DU PRODUIT. IL FAUT TESTER L'EAU POUR DÉCELER LES ÉLÉMENTS CORRODANTS ÉVENTUELS, MESURER SON ACIDITÉ, LA CONCENTRATION TOTALE DES SOLIDES ET AUTRES CONTAMINANTS APPROPRIÉS, Y COMPRIS LE CHLORE, ET LA TRAITER D'UNE FAÇON ADÉQUATE POUR ASSURER UNE BONNE PERFORMANCE ET EMPÊCHER LES PANNES PRÉMATURÉES.

⚠ AVERTISSEMENT INSTALLER OU STOCKER DANS UN ENDROIT OÙ LE RÉSERVOIR NE SERA PAS EXPOSÉ AUX TEMPÉRATURES INFÉRIEURES À LA TEMPÉRATURE DE CONGÉLATION OU SUPÉRIEURES À 37,8°C (100°F), NE PAS EXPOSER AUX INTEMPÉRIES DE TOUTE NATURE. SI L'EAU GÈLE DANS LE SYSTÈME, CE DERNIER TOMBERA EN PANNE. NE PAS ESSAYER DE TRAITER L'EAU À UNE TEMPÉRATURE SUPÉRIEURE À 37,8°C (100°F).

⚠ AVERTISSEMENT UTILISER UNIQUEMENT DE LA SOUDURE ET UN FLUX SANS PLOMB POUR TOUTES LES CONNEXIONS DE SOUDURE PAR RESSUAGE, COMME REQUIS PAR LES CODES RÉGIONAUX ET NATIONAUX.

REMARQUE : INSPECTER POUR DÉCELER LES DOMMAGES ÉVENTUELS D'EXPÉDITION ET AVISER LE TRANSPORTEUR OU LE MAGASIN DE VENTE IMMÉDIATEMENT SI DES DOMMAGES EXISTENT.

REMARQUE : VEUILLEZ LIRE DANS LEUR ENTIER LE MANUEL DU PROPRIÉTAIRE ET LES INSTRUCTIONS D'INSTALLATION AVANT D'INSTALLER CE NOUVEAU PRODUIT AMTROL. SAUVEGARDER TOUS LES DOCUMENTS ET MANUELS POUR QU'ILS SERVENT DE RÉFÉRENCE ULTÉRIEURE.

REMARQUE : UTILISER UN ÉQUIPEMENT DE SÉCURITÉ APPROPRIÉ POUR L'INSTALLATION.

REMARQUE : IL FAUT RESPECTER TOUS LES CODES DE PLOMBERIE.

REMARQUE : SI LES AVERTISSEMENTS CI-DESSUS NE SONT PAS RESPECTÉS, CELA PEUT CONDUIRE À DES BLESSURES SÉRIEUSES OU MORTELLES ET/OU DES DOMMAGES MATÉRIELS, ET CAUSERA L'ANNULATION DE LA GARANTIE.

SI LES AVERTISSEMENTS CI-DESSUS NE SONT PAS RESPECTÉS, CELA POURRA CONDUIRE À DES BLESSURES GRAVES OU LA MORT ET/OU DES DOMMAGES MATÉRIELS, ET ANNULERA LA GARANTIE

2. GARANTIE LIMITÉE DE PRODUIT AMTROL®

Produits couverts : tous les produits fabriqués par AMTROL Inc. ("AMTROL").

Cette garantie ne peut pas être cédée – elle est offerte uniquement à l'Acheteur initial ou au Premier Utilisateur du Produit. En acceptant et en conservant ce Produit, vous convalez de toutes les dispositions et limitations de responsabilité de la garantie décrites ci-dessous.

AVERTISSEMENT IMPORTANT – LIRE AVEC SOIN LE MANUEL D'INSTRUCTIONS D'INSTALLATION, FONCTIONNEMENT ET MAINTENANCE (le "MANUEL") pour éviter les blessures graves et/ou les dommages matériels et pour s'assurer de la sécurité d'utilisation et du bon entretien de ce produit.

Qui reçoit la garantie de produit d'AMTROL

Tous les acheteurs ou les premiers utilisateurs du Produit neuf. La garantie n'est pas cessible.

Qu'est-ce qui est couvert par cette Garantie

AMTROL® garantit à l'acheteur ou au premier utilisateur du Produit neuf que, au moment de sa fabrication, le Produit était dépourvu de vice de matériau ou de fabrication. Toute réclamation de garantie doit être déposée dans un délai d'un (1) an après la date d'achat du Produit, sauf si d'autres délais sont précisés dans le Manuel.

Ce que fera AMTROL en cas de réclamation couverte par la garantie

En cas de violation de la garantie ci-dessus, AMTROL choisira soit d'effectuer des réparations afin de corriger tout vice de matériau ou de fabrication soit de fournir et d'expédier des pièces ou des produits de rechange, neufs ou non. AMTROL n'acceptera pas de réclamation pour les dépenses de main d'œuvre ou autres.

Ce que cette Garantie ne couvre pas - Exclusions et Limitations

Cette Garantie ne couvre pas les défaillances ou les problèmes qui n'ont pas été causés par un vice de matériau ou de fabrication. En outre, cette Garantie n'est pas applicable:

- Si le Produit n'a pas été correctement installé, utilisé, réparé ou maintenu comme indiqué dans le Manuel fourni avec le Produit ;
- À toute panne ou défaillance causée par un abus (y compris le gel) ; une manutention, expédition (par un tiers autre que Amtrol), stockage, utilisation, opération, accident inappropriés ou négligents; ou une altération, la foudre, l'inondation ou toute autre condition environnementale;
- À toute panne ou problème causé par l'utilisation du Produit pour toute raison autre que celles spécifiées dans le Manuel joint ou par l'altération d'une partie quelconque du produit ;
- Si le Produit est utilisé dans tout endroit autre qu'aux États-Unis, ses territoires ou possessions, ou au Canada;
- Cette Garantie ne couvre pas les coûts de main d'œuvre, les frais d'expédition, les commissions, les frais de livraison, les frais administratifs ou toute autre dépense subie pour reprendre ou réinstaller le Produit ;
- Cette Garantie ne couvre aucune réclamation déposée auprès de Amtrol ou d'un concessionnaire ou détaillant autorisé de Amtrol plus de 30 jours après l'expiration de la période applicable de garantie décrite dans cette Garantie;
- Cette Garantie ne couvre pas non plus les frais de réparation ou de remplacement qui n'ont pas été autorisés au préalable par AMTROL.

Limitations de garantie supplémentaires

TOUTES LES GARANTIES TACITES, INCLUANT LES GARANTIES TACITES DE QUALITÉ MARCHANDE ET D'APTITUDE À UN USAGE PARTICULIER, SONT SPÉCIFIQUEMENT REJETÉES.

Limitations des remèdes

LES REMÈDES CONTENUS DANS CETTE GARANTIE REPRÉSENTENT LES REMÈDES EXCLUSIFS DE L'ACHETEUR OU DU PREMIER UTILISATEUR. AMTROL NE SAURAIT EN AUCUN CAS ÊTRE RESPONSABLE POUR UNE SOMME SUPÉRIEURE AU PRIX D'ACHAT DU PRODUIT, ET LES REMÈDES DE L'ACHETEUR/PREMIER UTILISATEUR NE DÉPASSERONT PAS CE PRIX. AMTROL NE SERA EN AUCUN CAS TENU RESPONSABLE POUR TOUTS DOMMAGES-INTÉRÊTS SPÉCIAUX, INDIRECTS, FORTUITS OU ACCESSOIRES, QU'ILS RESULTENT OU NON DE LA NON-LIVRAISON OU DE LA NON-UTILISATION, LA MAUVAISE UTILISATION OU L'IMPOSSIBILITÉ D'UTILISATION DU PRODUIT, OU DE DÉFAUTS DU PRODUIT OU DE LA NÉGLIGENCE OU AUTRE FAUTE DE AMTROL. Cette exclusion est applicable, que les dommages-intérêts soient ou non demandés pour violation de garantie, rupture de contrat, négligence, responsabilité stricte, dans le cadre d'un délit civil ou selon toute autre théorie juridique. Ces dommages-intérêts incluent, sans pour autant que cette énumération soit limitative, l'inconfort, les pertes ou les dommages matériels, les moisissures, les pertes de bénéfice, les pertes d'argent économisé ou les pertes de chiffre d'affaires, les pertes d'utilisation des Produits ou de tout équipement, installation, immeuble ou service associé, les temps morts et les réclamations de tiers, incluant les clients.

Que faut-il faire en cas de problème couvert par cette Garantie

Toute réparation couverte par la Garantie doit être autorisée par AMTROL. Contacter la personne auprès de laquelle le Produit a été acheté, et qui doit recevoir l'autorisation d'un concessionnaire AMTROL ou l'autorisation de AMTROL. Si la réponse se fait attendre, contacter AMTROL directement au numéro 877-517-9673. La notification de réclamation de garantie doit être soumise par le concessionnaire autorisé de AMTROL à l'adresse ci-dessous:

AMTROL Inc.
Warranty Claim Dept.
1400 Division Rd.
West Warwick, RI 02893 USA

Avant que AMTROL ne décide de fournir une pièce ou un Produit de rechange, il peut exiger, en tant que condition préalable à cette prise de décision, que le demandeur de garantie envoie le Produit en port payé chez un concessionnaire AMTROL autorisé ou chez AMTROL et fournisse un justificatif d'achat sous forme du récépissé de vente d'origine ou de l'enregistrement du Produit.

Garantie du Produit de rechange

En cas de remplacement d'un Produit ou de toute autre pièce, AMTROL se réserve le droit d'apporter des modifications à la conception, la construction ou les matériaux des pièces ou des produits de substitution, lesquels seront soumis à toutes les dispositions et limitations de cette Garantie, sauf que les périodes de garantie applicables seront réduites par la période au cours de laquelle le demandeur de garantie avait possédé le produit avant de soumettre la notification de réclamation de garantie.

Le symbole AMTROL, Well-X-Trol, Champion, Wel-Flo, Extrol, Fill-Trol, Therm-X-Trol et BoilerMate sont des marques déposées de AMTROL Inc. et ses usines affiliés aux États-Unis et mondiales. Tous droits réservés.

Revised 02/11

3. LISTE DE CONTRÔLE AVANT L'INSTALLATION

ÉTAPES ET DÉCISIONS IMPORTANTES ET NÉCESSAIRES AVANT L'INSTALLATION

- CE PRODUIT DOIT ÊTRE INSTALLÉ ET MAINTENU PAR UN SPÉCIALISTE HABILITÉ. EN PLUS DES INSTRUCTIONS DE CE MANUEL, SUIVRE TOUS LES CODES LOCAUX ET RÉGIONAUX APPLICABLES OU, DANS LEUR ABSENCE, LES DERNIÈRES VERSIONS DU CODE NATIONAL DE LA TUYAUTERIE ET DU CODE NATIONAL DE L'ÉLECTRICITÉ
- BAC D'ÉGOUTTEMENT ET ÉVACUATION : Pour éviter les dommages causés par les fuites et/ou l'inondation, installer un bac d'égouttement raccordé à une évacuation opérationnelle adéquate, dégagée en permanence.

AVERTISSEMENT PRESSIONS MAXIMALES DE MARCHÉ

Chaque réservoir de puits est testé à 100 psig pression, de marche maximale de la conduite du réservoir.

4. LISTE DE CONTRÔLE DES PIÈCES ET ACCESSOIRES REQUIS

MODÈLES À SUPPORT VERTICAL

- | | |
|--|---|
| <input type="checkbox"/> 1. PRESSOSTAT | <input type="checkbox"/> 5. ÉVACUATION DE SOUPE |
| <input type="checkbox"/> 2. SOUPE DE DÉTENTE | <input type="checkbox"/> 6. MANOMÈTRE |
| <input type="checkbox"/> 3. 1 RACCORD UNION | <input type="checkbox"/> 7. RACCORD EN T DE RÉSERVOIR |
| <input type="checkbox"/> 4. 1 SOUPE D'ARRÊT | |

AVERTISSEMENT SOUPE DE DÉTENTE RECOMMANDÉE

Il est recommandé d'installer une soupape de détente réglée pour s'ouvrir aux pressions excessives (75 psig et plus). Cela protégera le réservoir de puits et les autres composants du système au cas où le pressostat ne fonctionnerait pas correctement et n'arrêterait pas la pompe. La soupape de détente doit être installée au niveau du raccordement du réservoir à la tuyauterie du système, et doit avoir une pression de refoulement égale à la capacité de la pompe, soit 75 psig.

5. INSTRUCTIONS D'INSTALLATION

Emplacement

Emplacement approprié du réservoir de puits

Le réservoir de puits doit être installé aussi près que possible du pressostat. Cela réduit les effets nuisibles des pertes dues à l'augmentation des frottements, des mouvements du pressostat et de la différence de hauteur entre le réservoir et le pressostat.

DANGER ! RISQUE D'EXPLOSION.

LORSQUE LE RÉSERVOIR DE PUIITS A ÉTÉ EN SERVICE PENDANT UN CERTAIN TEMPS ET LA PRESSION DE CHARGE INITIALE DOIT ÊTRE AUGMENTÉE À CAUSE D'UN CHANGEMENT NÉCESSAIRE DU RÉGLAGE DU PRESSOSTAT, LE NON-RESPECT DES INSTRUCTIONS CI-DESSOUS PEUT CAUSER UNE RUPTURE OU UNE EXPLOSION POUVANT CONDUIRE À DES BLESSURES GRAVES OU LA MORT, ET/OU DES DOMMAGES MATÉRIELS.

- NE PAS AJUSTER NI AUGMENTER LA PRESSION SI DE L'AIR S'EST ÉCHAPPÉ.
- NE PAS AJUSTER LA PRESSION DE CHARGE INITIALE S'IL EXISTE DES SIGNES DE CORROSION À L'EXTÉRIEUR.
- NE PAS AJUSTER LA PRESSION DE CHARGE INITIALE EN CAS DE RÉDUCTION DU TEMPS DE CYCLE DE LA POMPE OU DE LA PRESSION DE CHARGE INITIALE PAR RAPPORT À SA VALEUR D'ORIGINE. EN EFFET, LA RÉDUCTION DU TEMPS DE CYCLE DE LA POMPE PEUT ÊTRE DUE À LA PERTE DE PRESSION D'AIR DANS LE RÉSERVOIR, LAQUELLE PEUT ÊTRE CAUSÉE PAR LA CORROSION INTERNE, ET DANS CE CAS LA REMISE SOUS PRESSION OU L'AUGMENTATION DE LA PRESSION POURRAIT CONDUIRE À UNE RUPTURE OU À UNE EXPLOSION.

Ajustement de la charge initiale

Avant l'installation

Tous les réservoirs de puits sont expédiés avec une charge initiale standard de 38 psig.

Étape 1. Retirer le capuchon de protection de la soupape à air

Étape 2. Vérifier la pression de charge initiale (elle devrait être égale au réglage d'usine avec une tolérance de + ou - 10 %)

Étape 3. Retirer ou ajouter de l'air selon les besoins pour amener la pression de charge initiale à 2 psig au-dessous de la pression d'activation de pompe du pressostat. Exemple: pour un réservoir avec une charge initiale de 38 psig et un réglage de pressostat de 30/50 psig, abaisser la charge initiale du réservoir de 38 psig à 28 psig.

Étape 4. Remettre en place le capuchon de protection de la soupape à air. Retirer le dos de l'étiquette et la placer sur le capuchon de la soupape à air.



AVERTISSEMENT Risque d'explosion. Si ces instructions ne sont pas suivies, cela peut causer une rupture ou une explosion pouvant conduire à des blessures graves ou la mort, l'inondation et/ou les dommages matériels.

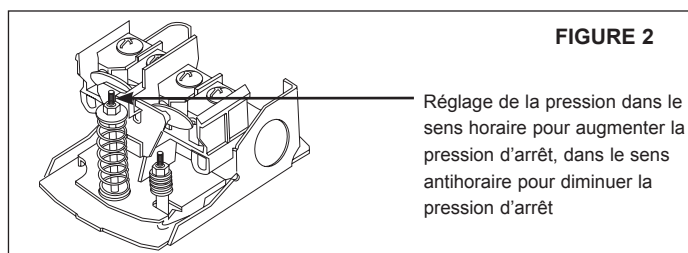
Raccordement du système

1. Placer le réservoir de puits dans son emplacement définitif.
2. Mettre l'appareil de niveau selon les besoins.
3. Pour éliminer les pertes de friction, ne pas réduire la taille du tuyau entre la pompe et le réservoir.

Démarrage Procédures de réglage fin

Souvent, la pression réelle du pressostat ne sera pas dans la plage de pression nominale indiquée. Ces variations pourraient causer un retard momentané de la livraison d'eau, car le pressostat n'est pas « accordé à la pression de charge initiale du réservoir de puits ».

1. Remplir le système et le réservoir de puits jusqu'à ce que la pompe s'arrête.
2. Ouvrir un ou plusieurs robinets pour vider le réservoir.
3. Si le débit d'eau subit une interruption momentanée après que le réservoir ait été vidé et la pompe ait démarré, ajuster le réglage d'activation de la pompe légèrement dans le sens horaire (voir la figure 2).
4. Fermer les robinets et remplir à nouveau le réservoir jusqu'à l'arrêt de la pompe. Vérifier le temps nécessaire au remplissage.
5. Ouvrir les robinets et déterminer si l'interruption de l'alimentation d'eau a été éliminée. Sinon, continuer à ajuster le pressostat.



Réglage de la charge initiale après l'installation

- Étape 1.** Vider complètement le réservoir. Vérifier la pression de charge initiale dans le réservoir.
- Étape 2** Retirer ou ajouter de l'air selon les besoins pour amener la pression de charge initiale à 2 psig au-dessous de la pression d'activation de pompe du pressostat.

1. INFORMACIÓN GENERAL DE SEGURIDAD

ADVERTENCIA

ESTE TANQUE, TAL COMO SUCEDERÍA CON LA MAYORÍA DE LOS TANQUES BAJO PRESIÓN, CON EL CORRER DEL TIEMPO SE VA A CORROER Y/O PODRÍA ESTALLAR Y/O TENER FUGAS O INUNDARSE (Y EN CASOS RAROS, EXPLOTAR), LO CUAL PUEDE CAUSAR LESIONES PERSONALES GRAVES O FATALES Y DAÑOS MATERIALES. PARA REDUCIR ESTE RIESGO, LA UNIDAD DEBE SER INSTALADA E INSPECCIONADA Y RECIBIR MANTENIMIENTO PERIÓDICO DE UN INSTALADOR PROFESIONAL CERTIFICADO. SI EXISTE LA POSIBILIDAD DE QUE UNA PÉRDIDA O INUNDACIÓN PUEDA CAUSAR DAÑOS MATERIALES, SE DEBE INSTALAR UNA BANDEJA RECOLECTORA DE FUGAS, CONECTADA A UN DRENAJE ADECUADO.

PRECAUCIÓN

TAL COMO SUCEDERÍA CON TODOS LOS PRODUCTOS DE INSTALACIONES SANITARIAS Y RECIPIENTES DE ALMACENAMIENTO DE AGUA, PUEDEN DESARROLLARSE BACTERIAS EN SU TANQUE PARA SISTEMA DE AGUA, ESPECIALMENTE DURANTE PERÍODOS DE NO FUNCIONAMIENTO. CONSULTE CON SU FUNCIONARIO DE INSTALACIONES SANITARIAS LOCAL SOBRE LOS PASOS QUE DEBE SEGUIR PARA DESINFECTAR CON SEGURIDAD EL SISTEMA DE INSTALACIONES SANITARIAS DE SU CASA.

ADVERTENCIA

SIGA TODAS LAS INSTRUCCIONES Y RECOMENDACIONES QUE HAY EN ESTE MANUAL, ASÍ COMO LAS SIGUIENTES ADVERTENCIAS ESPECÍFICAS. EL NO HACERLO ES INSEGURO Y PUEDE CAUSAR UNA EXPLOSIÓN GRAVE, LESIONES PERSONALES GRAVES O FATALES Y DAÑOS MATERIALES.

ADVERTENCIA

PELIGRO DE EXPLOSIÓN O RUPTURA. SE DEBE INSTALAR UNA VÁLVULA DE ALIVIO CON EL FIN DE EVITAR QUE HAYA UNA PRESIÓN MAYOR QUE 125 LPPC (LIBRAS POR PULGADA CUADRADA, U 8.75 KG/CM²), O LO QUE INDIQUE EL REGLAMENTO LOCAL, LO QUE SEA MENOR.

ADVERTENCIA

PELIGRO DE EXPLOSIÓN O RUPTURA. EL TANQUE PARA SISTEMA DE AGUA SE DEBE OPERAR DE MANERA TAL QUE NO SE EXCEDA UNA PRESIÓN MANOMÉTRICA DE 125 LPPC (8.75 Kg/cm²).

ADVERTENCIA

LA UTILIZACIÓN DE UN TANQUE PARA SISTEMA DE AGUA QUE NO SEA DE LA DIMENSIÓN ADECUADA (CON BASE EN LAS SIGUIENTES INSTRUCCIONES DE DIMENSIONAMIENTO) PUEDE PRODUCIR ESFUERZOS EXCESIVOS EN LA BOMBA, QUE A SU VEZ PUEDEN CAUSAR FALLAS DEL PRODUCTO, PÉRDIDAS E INUNDACIÓN, Y DAÑOS MATERIALES.

ADVERTENCIA

¡PELIGRO! RIESGO DE EXPLOSIÓN. SI USTED AJUSTA LA PRESIÓN DE PRECARGA O AUMENTA LA PRESIÓN DE UN TANQUE QUE ESTÁ CORROÍDO O DAÑADO, O CUYA INTEGRIDAD HA SIDO COMPROMETIDA, DICHO TANQUE PODRÍA REVENTARSE O EXPLOTAR, EXISTIENDO LA POSIBILIDAD DE QUE ESTO PROVOQUE LESIONES GRAVES O FATALES Y DAÑOS MATERIALES.

• SÓLO AJUSTE LA PRECARGA COMO SE DESCRIBE EN ESTE MANUAL CUANDO EL TANQUE SEA NUEVO O CUANDO SE CONFIRME SU INTEGRIDAD Y QUE NO TENGA PÉRDIDAS INTERNAS O EXTERNAS.

• LA PRECARGA DE LOS TANQUES SÓLO DEBE SER REVISADA, AJUSTADA Y RECARGADA POR UN PROFESIONAL CALIFICADO.

ADVERTENCIA

¡PELIGRO! RIESGO DE EXPLOSIÓN. SI DESPUÉS DE QUE EL TANQUE PARA SISTEMA DE AGUA HA ESTADO EN SERVICIO, ES NECESARIO SUBIR SU PRESIÓN DEBIDO A UN CAMBIO REQUERIDO EN EL AJUSTE DEL INTERRUPTOR DE PRESIÓN, DE NO SEGUIRSE LAS INSTRUCCIONES A CONTINUACIÓN, PODRÍA OCURRIR UNA RUPTURA O EXPLOSIÓN, CON LA POSIBILIDAD DE QUE OCURRAN LESIONES GRAVES O FATALES Y DAÑOS MATERIALES.

• NO AJUSTE O AUMENTE LA PRESIÓN SI HA HABIDO PÉRDIDA DE AIRE.

• NO AJUSTE LA PRESIÓN DE PRECARGA SI SE OBSERVA CORROSIÓN EN EL EXTERIOR.

• NO AJUSTE LA PRESIÓN DE PRECARGA SI HUBO ALGUNA REDUCCIÓN EN EL CICLO DE OPERACIÓN DE LA BOMBA O EN LA PRESIÓN DE PRECARGA, COMPARADA CON SU VALOR INICIAL. ESTO SE DEBE A QUE LA REDUCCIÓN DEL CICLO DE OPERACIÓN DE LA BOMBA PUEDE SER CAUSADA POR UNA PÉRDIDA DE PRESIÓN DE AIRE DEL TANQUE, LO QUE A SU VEZ, PUEDE SER UN SÍNTOMA DE CORROSIÓN INTERNA, POR LO QUE CUALQUIER REPRESURIZACIÓN O PRESIÓN ADICIONAL PODRÍA PRODUCIR UNA RUPTURA O EXPLOSIÓN.

ADVERTENCIA

LA CALIDAD DEL AGUA PUEDE AFECTAR DE MANERA SIGNIFICATIVA LA VIDA DE SU PRODUCTO. USTED DEBE PROBARLA PARA DETECTAR EN ELLA ELEMENTOS CORROSIVOS, ACIDEZ, SÓLIDOS TOTALES Y OTROS CONTAMINANTES DE CONSIDERACIÓN, INCLUYENDO CLORO, Y TRATAR EL AGUA DE MANERA APROPIADA, A FIN DE ASEGURAR UN DESEMPEÑO SATISFACTORIO Y DE PREVENIR FALLAS PREMATURAS.

ADVERTENCIA

INSTALE O ALMACENE EL TANQUE EN UN LUGAR EN EL QUE NO ESTÉ EXPUESTO A TEMPERATURAS BAJO CERO O MAYORES QUE 100°F (38°C); NO SE EXPONGA A NINGÚN TIPO DE CLIMA EN EXTERIORES. EL CONGELAMIENTO DEL AGUA EN EL SISTEMA LO ROMPERÁ. NO TRATE AGUA A MÁS DE 100°F (38°C).

ADVERTENCIA

SÓLO USE SOLDADURA Y FUNDENTE SIN PLOMO EN LAS CONEXIONES SOLDADAS, TAL COMO LO REQUIEREN LOS REGLAMENTOS ESTATALES Y FEDERALES.

NOTA: REVISE SI EL PRODUCTO SUFRIÓ DAÑOS DURANTE LA TRANSPORTACIÓN Y, SI ESTÁ DAÑADO, NOTIFIQUELO DE INMEDIATO AL TRANSPORTISTA O A LA TIENDA DONDE LO ADQUIRIÓ.

POR FAVOR LEA EL MANUAL DEL PROPIETARIO Y LAS INSTRUCCIONES DE INSTALACIÓN ANTES DE INSTALAR SU NUEVO PRODUCTO AMTROL. GUARDE LA DOCUMENTACIÓN Y LOS MANUALES PARA REFERENCIA FUTURA. DE

AL INSTALARLO, UTILICE EQUIPO DE SEGURIDAD ADECUADO.

SE DEBEN CUMPLIR TODOS LOS REGLAMENTOS DE PLOMERÍA.

EL INCUMPLIMIENTO DE LAS ADVERTENCIAS ANTERIORES PUEDE TRAER COMO CONSECUENCIA LESIONES PERSONALES GRAVES O FATALES Y DAÑOS PERSONALES Y MATERIALES, ADEMÁS DE QUE ANULARÁ LA GARANTÍA.

DE NO SEGUIRSE LAS ADVERTENCIAS ANTERIORES, PODRÍAN PRODUCIRSE LESIONES PERSONALES GRAVES O LA MUERTE, Y/O DAÑOS MATERIALES, Y SE ANULARÁ LA GARANTÍA.

2. GARANTÍA LIMITADA SOBRE LOS PRODUCTOS DE AMTROL®

Productos cubiertos: todos los productos manufacturados por AMTROL Inc. ("AMTROL").

Esta garantía es intransferible; se concede únicamente al comprador original o al primer usuario del producto. Al aceptar y conservar este producto, usted acepta todos los términos de la garantía, así como las limitaciones de responsabilidad que se describen a continuación.

ADVERTENCIA IMPORTANTE: LEA CON ATENCIÓN EL MANUAL DE INSTRUCCIONES DE INSTALACIÓN, OPERACIÓN Y MANTENIMIENTO ("MANUAL") para prevenir graves lesiones personales y daños materiales, así como para asegurar la adecuada utilización y cuidado de este producto.

Quién recibe la garantía de los productos AMTROL?

Todos los compradores o primeros usuarios de un producto nuevo. La garantía no es transferible.

Qué cubre esta garantía?

AMTROL® garantiza al comprador o al primer usuario del producto nuevo que, al momento de manufactura, dicho producto está libre de defectos materiales y de mano de obra. Cualquier reclamación de garantía se debe efectuar en un plazo de un (1) año a partir de la fecha de compra, a menos que en el manual se especifique un plazo distinto.

Qué hará AMTROL si usted tiene un reclamo cubierto por la garantía?

En caso de incumplimiento de la garantía anterior, AMTROL, a opción suya, efectuará las reparaciones necesarias para corregir cualquier defecto material o de mano de obra, o suministrará y enviará piezas o productos de repuesto nuevos o usados. AMTROL no aceptará ningún reclamo por mano de obra u otros costos.

Qué no queda cubierto por esta garantía? Exclusiones y limitaciones

Esta garantía no cubre ninguna falla ni ningún problema, a menos que haya sido causado por defectos materiales o de mano de obra. Además, esta garantía no aplicará:

- Si el producto no ha sido instalado, operado, reparado o mantenido correctamente, según lo descrito en el manual que se suministra con él;
- A ninguna falla o funcionamiento defectuoso que resulte a consecuencia de maltrato (incluyendo congelamiento); manejo, embarque (por terceros distintos de AMTROL), almacenamiento, utilización u operación inadecuados o negligentes; accidente; alteración; rayos; inundación; o cualquier otra condición medioambiental;
- A cualquier falla o problema que resulte del uso del producto para cualquier fin distinto de los que se especifican en el manual adjunto, o por la alteración de cualquier parte del producto;
- Esta garantía no cubre los costos de mano de obra, gastos de envío, costos de servicio, gastos de entrega, cargos administrativos ni ningún otro costo en el que se incurra por remover o reinstalar el producto.
- Esta garantía no cubre ningún otro reclamo remitido a AMTROL o a un distribuidor o minorista autorizado de AMTROL más de 30 días después del periodo aplicable de garantía que se describe en esta garantía;
- Esta garantía tampoco cubre los costos de reparación y de reemplazo no autorizados por AMTROL por adelantado.

Limitaciones adicionales de la garantía

TODAS LAS GARANTÍAS IMPLÍCITAS, INCLUYENDO LAS GARANTÍAS IMPLÍCITAS DE COMERCIALIZACIÓN E IDONEIDAD PARA UN FIN PARTICULAR, SON DENEGADAS ESPECÍFICAMENTE.

Limitaciones de los remedios

LOS REMEDIOS CONTENIDOS EN ESTA GARANTÍA SON EXCLUSIVOS PARA EL COMPRADOR O EL PRIMER USUARIO.

BAJO NINGUNA CIRCUNSTANCIA SERÁ RESPONSABLE AMTROL POR MÁS QUE EL PRECIO PAGADO POR EL PRODUCTO; DE LA MISMA MANERA, LOS REMEDIOS DEL COMPRADOR O PRIMER USUARIO NO EXCEDERAN DICHO PRECIO. EN NINGÚN CASO SERÁ RESPONSABLE AMTROL POR NINGÚN DAÑO ESPECIAL, INDIRECTO, INCIDENTAL O CONSIGUIENTE, SEA RESULTADO DE LA FALTA DE ENTREGA O DEL USO, MAL USO O INCAPACIDAD PARA USAR EL PRODUCTO, NI POR DEFECTOS EN EL PRODUCTO NI POR NEGLIGENCIA PROPIA DE AMTROL, NI POR NINGÚN OTRO AGRAVIO. Esta exclusión es aplicable sin importar si se busca la reparación de dichos daños por incumplimiento de la garantía, incumplimiento de contrato, negligencia, responsabilidad estricta, bajo agravio o bajo cualquier otra teoría legal. Tales daños incluyen, sin estar limitados a, inconveniencia, pérdidas o daños materiales, moho, pérdidas de ganancias, pérdida de ahorros o ingresos, pérdida del uso de los productos o de cualquier equipo, instalaciones, edificios o servicios asociados, tiempo de baja, y las reclamaciones de terceros, incluyendo clientes.

¿Qué hacer si tiene un problema cubierto por esta garantía?

Cualquier servicio de garantía cubierto debe ser autorizado por AMTROL. Comuníquese con la persona que le vendió el producto, la cual **tiene** que recibir autorización de un distribuidor de AMTROL o de AMTROL mismo. Si no recibe una respuesta pronta, llame a AMTROL directamente al 877-517-9673. El distribuidor autorizado debe remitir el aviso de un reclamo de garantía a AMTROL a la siguiente dirección:

AMTROL, Inc.
Warranty Claim Dept.
1400 Division Rd.
W. Warwick, RI 02893

Antes de que AMTROL determine proveer partes o productos de repuesto, como condición previa para tal determinación podría requerir que el reclamante de la garantía envíe el producto, con porte prepagado, a un distribuidor autorizado de AMTROL, o a AMTROL, y que proporcione prueba de su compra, usando como evidencia el recibo original de compra o el registro del producto.

Garantía sobre los productos de reemplazo

En caso de que se reemplace un producto o componente, AMTROL se reserva el derecho de efectuar cambios al diseño, construcción y material de los componentes o productos de reemplazo, los cuales estarán sujetos a todos los términos y limitaciones de esta garantía, excepto que los periodos de garantía aplicables se reducirán en un tiempo igual al tiempo que el reclamante de la garantía haya sido el propietario del producto antes de remitir la notificación del reclamo de garantía.

El logotipo de AMTROL, AMTROL, Well-X-Trol, Champion, Wel-Flo, Extrol, Fill-Trol, Therm-X-Trol y BoilerMate son marcas registradas de AMTROL Inc. y sus afiliados en E.U.A. y otros países. Todos los derechos reservados.

Revised 02/11

3. LISTA DE VERIFICACIÓN PREINSTALACIÓN

PASOS Y DECISIONES IMPORTANTES QUE SE REQUIEREN TOMAR ANTES DE LA INSTALACIÓN

- ESTE PRODUCTO DEBE SER INSTALADO Y MANTENIDO POR UN PROFESIONAL CERTIFICADO. ADEMÁS DE LAS INSTRUCCIONES CONTENIDAS EN ESTE MANUAL, CUMPLA CON TODOS LOS CÓDIGOS LOCALES Y ESTATALES APLICABLES O, SI NO LOS HUBIERA, CON LAS EDICIONES ACTUALES DEL CÓDIGO NACIONAL DE INSTALACIONES SANITARIAS Y EL CÓDIGO NACIONAL ELÉCTRICO.
- BANDEJA RECOLECTORA Y DRENAJE: Para evitar daños por fugas y/o inundación, instale una bandeja recolectora conectada a un drenaje que funcione adecuadamente y que se mantenga sin obstrucciones en todo momento.

ADVERTENCIA PRESIONES MÁXIMAS DE OPERACIÓN

Todos los tanques hidroneumáticos son probados a una presión manométrica de 100 lppc (7 Kg/cm²), que es la presión máxima de operación para la línea del tanque hidroneumático.

4. LISTA DE VERIFICACIÓN DE COMPONENTES Y ACCESORIOS REQUERIDOS

MODELOS VERTICALES

- | | |
|--|--|
| <input type="checkbox"/> 1. INTERRUPTOR DE PRESIÓN | <input type="checkbox"/> 5. VÁLVULA DE DRENAJE |
| <input type="checkbox"/> 2. VÁLVULA DE ALIVIO | <input type="checkbox"/> 6. MANÓMETRO |
| <input type="checkbox"/> 3. UNA UNIÓN | <input type="checkbox"/> 7. CONEXIÓN EN T PARA EL TANQUE |
| <input type="checkbox"/> 4. UNA VÁLVULA DE CIERRE | |

ADVERTENCIA SE RECOMIENDA LA INSTALACIÓN DE UNA VÁLVULA DE ALIVIO

Se recomienda la instalación de una válvula de alivio ajustada para abrirse cuando haya presiones excesivas [presión manométrica de 75 lppc (5.25 Kg/cm²) o más]. Esto protegerá a su tanque hidroneumático y al resto de los componentes del sistema en caso de que el interruptor de presión falle y no pare la bomba. La válvula de alivio debería instalarse en la conexión de su tanque hidroneumático con las tuberías del sistema, y deberá tener una descarga equivalente a la capacidad de la bomba a una presión de 75 lppc (5.25 Kg/cm²).

5. INSTRUCCIONES DE INSTALACIÓN

Ubicación

Ubicación apropiada del tanque hidroneumático

El tanque hidroneumático deberá instalarse lo más cerca posible al interruptor de presión. Con esto se reducirán los efectos adversos provocados por las pérdidas por fricción y por el rebote del interruptor de presión, así como por la diferencia de elevación entre el tanque hidroneumático y el interruptor.

ADVERTENCIA ¡PELIGRO! RIESGO DE EXPLOSIÓN. SI DESPUÉS DE QUE EL WELL-X-TROL HA ESTADO EN SERVICIO, ES NECESARIO SUBIR SU PRESIÓN DEBIDO A UN CAMBIO REQUERIDO EN EL AJUSTE DEL INTERRUPTOR DE PRESIÓN, EL NO SEGUIR LAS INSTRUCCIONES SIGUIENTES PUEDE PROVOCAR UNA RUPTURA O EXPLOSIÓN, POSIBLEMENTE CAUSANDO LESIONES GRAVES O FATALES, Y/O DAÑOS MATERIALES.

- NO AJUSTE O AUMENTE LA PRESIÓN SI HA HABIDO PÉRDIDA DE AIRE.
- NO AJUSTE LA PRESIÓN DE PRECARGA SI SE OBSERVA CORROSIÓN EN EL EXTERIOR.
- NO AJUSTE LA PRESIÓN DE PRECARGA SI HUBO ALGUNA REDUCCIÓN EN EL CICLO DE OPERACIÓN DE LA BOMBA O EN LA PRESIÓN DE PRECARGA, COMPARADA CON SU VALOR INICIAL. ESTO SE DEBE A QUE LA REDUCCIÓN DEL CICLO DE OPERACIÓN DE LA BOMBA PUEDE SER CAUSADA POR UNA PÉRDIDA DE PRESIÓN DE AIRE DEL TANQUE, LO QUE A SU VEZ, PUEDE SER UN SÍNTOMA DE CORROSIÓN INTERNA, POR LO QUE CUALQUIER REPRESURIZACIÓN O PRESIÓN ADICIONAL PODRÍA PRODUCIR UNA RUPTURA O EXPLOSIÓN.

Ajuste de la precarga Antes de la instalación

Todos los tanques hidroneumáticos salen de fábrica con una presión manométrica de precarga estándar de 38 lppc (2.7 Kg/cm²).

- Paso 1.** Quite la tapa de protección de la válvula de aire.
- Paso 2.** Verifique la presión de precarga (la presión debe ser +/- 10% del valor de fábrica).
- Paso 3.** Libere o agregue aire, según sea necesario, para que la presión manométrica de precarga sea 2 lppc (0.14 Kg/cm²) menor que el ajuste del interruptor de presión para el arranque de la bomba. (Ejemplo, si se tiene un tanque hidroneumático con una presión manométrica de precarga de 38 lppc (2.7 Kg/cm²) y el interruptor está ajustado a una presión manométrica entre 30 y 50 lppc (2.1 y 3.5 Kg/cm²), reduzca la precarga de su tanque hidroneumático de 38 lppc (2.7 Kg/cm²) a 28 lppc (2 Kg/cm²).
- Paso 4.** Vuelva a colocar la tapa de protección de la válvula de aire. Separe el reverso de la etiqueta y péguela en dicha tapa



FIGURA 1

ADVERTENCIA Peligro de explosión. Si no se siguen estas instrucciones, puede suceder una ruptura o explosión que puede causar lesiones graves o fatales, inundación, y/o daños materiales.

Conexión del sistema

1. Coloque su tanque hidroneumático en su lugar definitivo.
2. Nivélelo según sea necesario.
3. Para eliminar las pérdidas por fricción, no coloque ninguna reducción en la tubería entre la bomba y el tanque hidroneumático.

Puesta en marcha Procedimientos de ajuste fino

Muchas veces el punto de operación del interruptor de presión será diferente de la gama de presiones indicada. Estas variaciones pueden causar una demora momentánea en el suministro de agua, ya que el interruptor de presión no está "sintonizado" con la presión de precarga del tanque hidroneumático".

1. Llene el sistema y el tanque hidroneumático hasta que la bomba se detenga.
2. Abra uno o varios grifos para drenar el tanque hidroneumático.
3. Si hubiere alguna pausa momentánea en el flujo de agua entre el instante en que se vacíe el WELL-X-TROL y el momento en que se ponga en marcha la bomba, ajuste ligeramente el punto de arranque de la bomba en sentido horario (vea la figura 2).
4. Cierre los accesorios y vuelva a llenar el tanque hidroneumático hasta que la bomba se pare. Verifique el tiempo que hace falta para llenarlo.
5. Abra los accesorios y fíjese si se eliminó la pausa en el flujo de agua. Si no fuese así, siga ajustando el interruptor de presión.

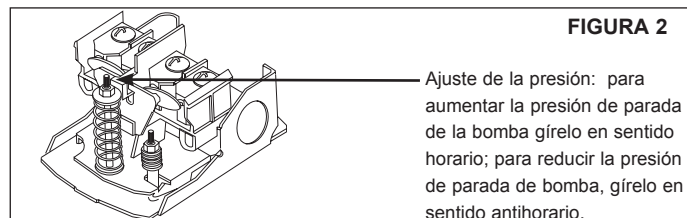
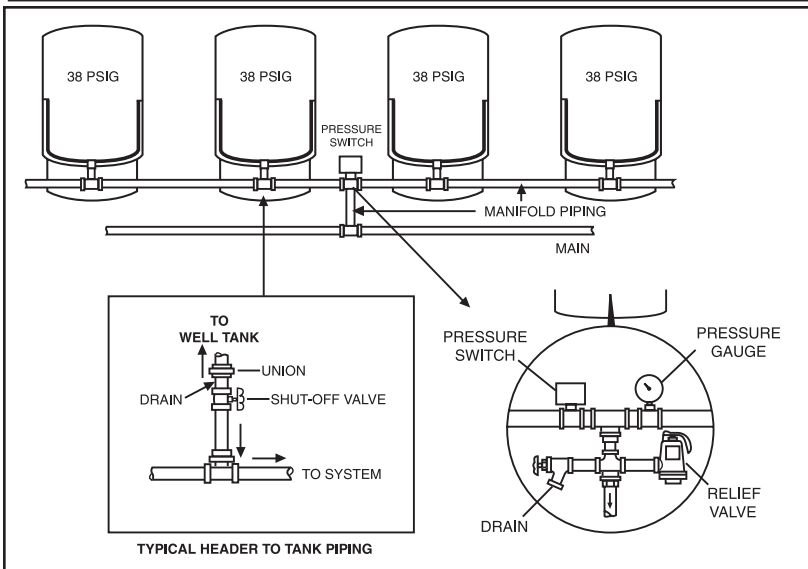


FIGURA 2

Ajuste de la precarga después de la instalación

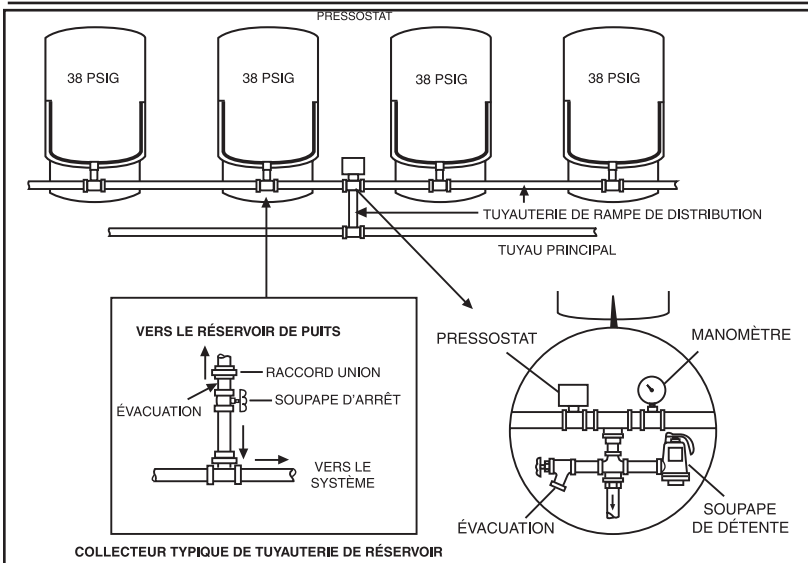
- Paso 1.** Drene toda el agua del tanque. Verifique la presión de precarga en el tanque hidroneumático.
- Paso 2.** Libere o agregue aire, según sea necesario, para que la presión de precarga sea 2 lppc (0.14 Kg/cm²) menor que el ajuste del interruptor de presión para el arranque de la bomba.

6. MANIFOLD INSTALLATIONS



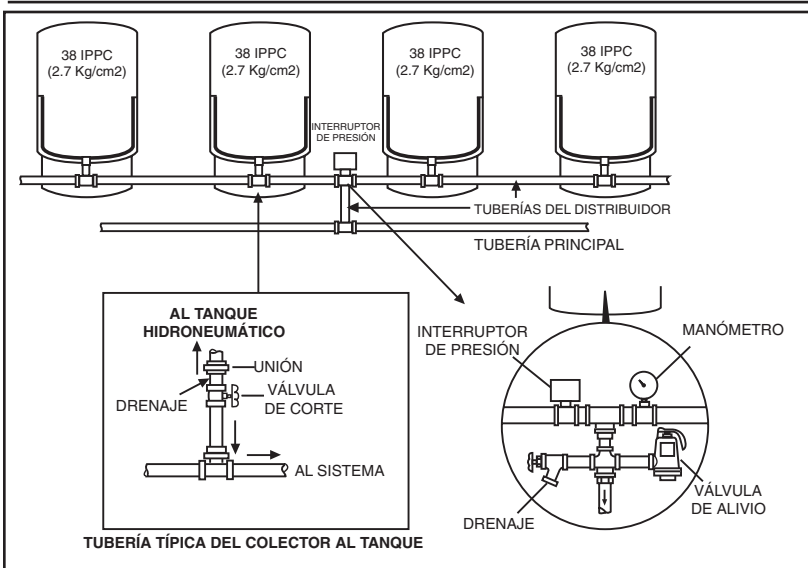
Minimum Manifold Pipe Size	GPM
1	17
1 1/4	30
1 1/2	40
2	60

6. INSTALLATIONS À RAMPE DE DISTRIBUTION



Taille min de tuyau de distribution	Gallons/minute
1	17
1 1/4	30
1 1/2	40
2	60

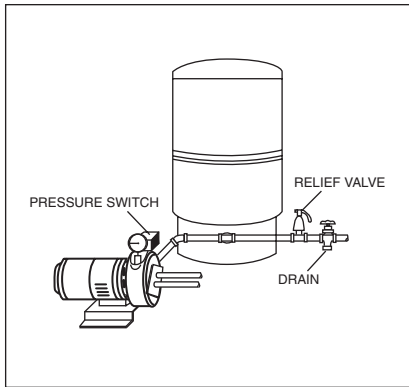
6. INSTALACIÓN DE COLECTORES



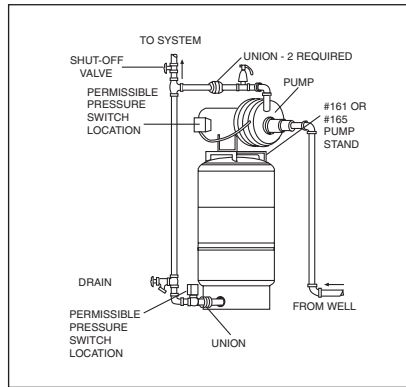
Tamaño mínimo de la	Tubería del distribuidor
1	17
1 1/4	30
1 1/2	40
2	60

RECOMMENDED INSTALLATIONS

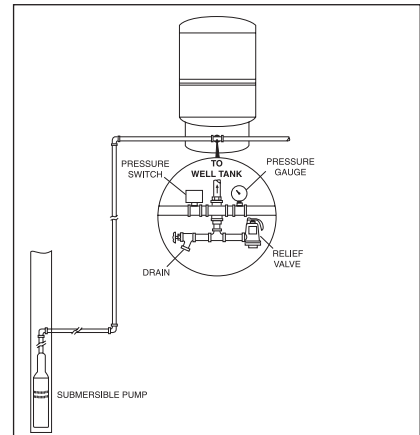
Well tank installed on-line with jet pump.



Shallow well jet pump mounted on tank.

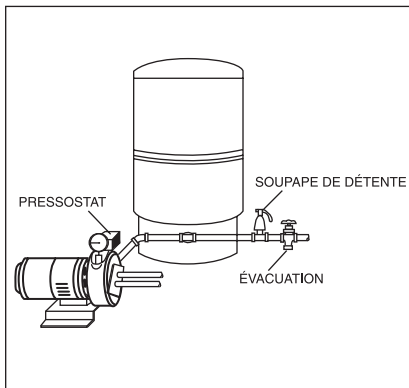


Well tank installed on-line using submersible pump.

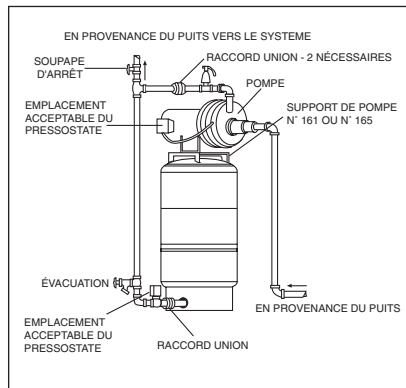


INSTALLATIONS RECOMMANDÉES

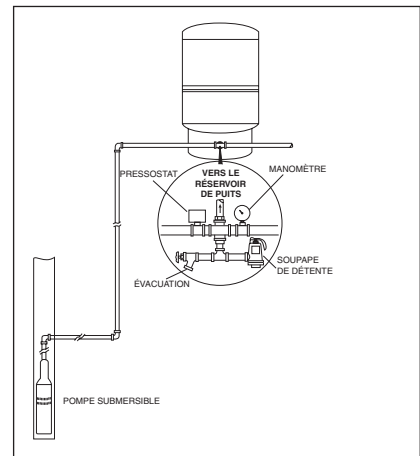
Réservoir de puits installé en ligne avec pompe à jet.



Pompe à jet pour puits peu profond, montée sur réservoir.

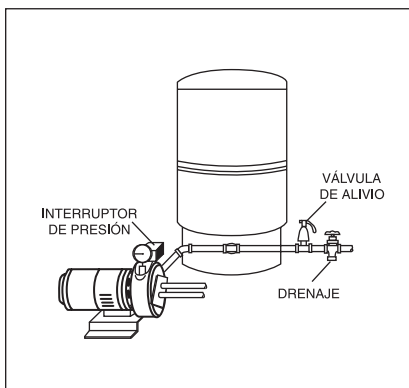


Réservoir de puits installé en ligne avec pompe submersible.

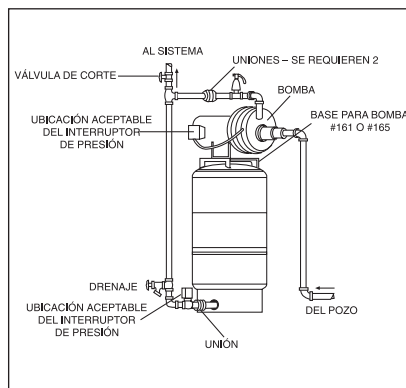


INSTALACIONES RECOMENDADAS

Tanque hidroneumático instalado con una bomba de chorro en línea.



Bomba de chorro para pozo poca profundidad montada en el tanque.



Tanque hidroneumático instalado con una bomba sumergible en línea.

