

## 12/13/14VAC Power supply

Réf : PF10V200 - PF10V201



### Table of Contents

1. Packaged content .....	1
2. Warnings .....	2
3. Technical features .....	2
4. Description .....	3
5. Installation .....	3
5.1. Wall mounting .....	3
5.2. Electrical connection .....	4
6. Operation .....	7
<b>A. Technical support .....</b>	<b>8</b>
<b>B. Declaration of conformity .....</b>	<b>8</b>



Read these instructions carefully before installing, commissioning and using this product.

### 1. Packaged content

- 1x 12/13/14VAC power supply
- 1x bag including
  - 5 rapid connectors
  - 3 screws and 3 dowels for wall mounting

## 2. Warnings



**FOR YOUR SAFETY** - This product must be installed and maintained by an engineer who is both authorized and qualified to repair pool equipment by the jurisdiction in which this product is installed, whenever local requirements of this kind are enacted.



Make sure that the product is connected to a 120 VAC or 240 VAC plug, protected against short-circuits. Product must be installed in due accordance with the Electric Code (hereinafter "CEC" or C22.1) and/or any other local or national codes.



Risk of electric shock, fire, injury or death. Only connect to a circuit that is protected by a ground fault circuit interrupter (GFCI).



To prevent any risk of electric shock, fire or accident, the product must be maintained exclusively by a qualified engineer specializing in the maintenance of pools.



Keep this apparatus out of the reach of children and any people with a reduced physical, sensory or mental capacity.



This product must be used strictly according to the instructions for use presented in this document. The user assumes any risk of injuries to people or damage to property caused as a result of using the product.

## 3. Technical features

- Maximum overcurrent protection - 15 A
- Use copper conductors exclusively
- Disconnect the power supply before opening the service cover.
- For indoor or outdoor use
- Electrical requirements: 120 V AC 60 Hz

Power supply voltage (input)	120V ~ AC 60Hz
Output voltage	12/13/14 VAC
Output power	PF10V200 : 75VA maximum PF10V201 : 150VA maximum
Protection index	IP-55
Overall dimensions	310 x 150 x 100mm (12,2 x 5,9 x 3,9po)
Installation	Wall attachment (3 screws/pegs provided)
Weight	PF10V200 : 2,3 kg (5,07lbs) PF10V201 : 3,0 kg (6,62lbs)
Integrated supplementary protection	Circuit breaker, in front of the power supply: 7A (PF10V200) / 13A (PF10V201)

## 4. Description

This power supply is designed to safely powering your pool lights. Maximal output power is, depending model, 75VA (PF10V200), or 150VA (PF10V201).

## 5. Installation

### 5.1. Wall mounting



**For reasons of safety and in accordance with local directives and NEC, the supply box must be installed**

- either more than 3.5 m (11,5 ft) away (or even further if so required by local legislation) from the edge of the pool. This distance is measured taking into account any workaroud of obstacles. If the supply box is installed behind a wall, this therefore concerns the distance required to go round it and reach the box.
- or in an underground room in close proximity to the pool. In this case, the room must be accessible by a trap door which requires the use of a tool to be opened.

Use the 3 supplied screws and pegs to securely fix the box on the wall, on a flat and stable portion.



## 5.2. Electrical connection



**Installation of this project involves a hazard of electric shocks. We strongly recommend you contract a professional installer. Incorrect installation places you in danger and may irreversibly damage the product and the equipment connected to it.**

The box resists projected water but must not be placed in any place liable to flooding. To maintain its water-tightness, the 2 screws on the front must be tightly fastened.



The supply box must be powered using 120V single phase current with 60Hz, and protected by a class A differential device (ground fault circuit interrupter (GFCI)), capable of providing a sufficient intensity (2A min). The cable section used for the supply must be suitable and functional over its entire length.



**Green wire, on primary, has to be connected on earth conductor.**

Primary choice depend on 2 installation-dependant parameters:

- Effective power of you pool light(s) and
- Cable gauge and lenght

For a consumed power of **1/3 of your power supply rated power** (25VA for PF10R200 or 50VA for PF10R201) :

Lenght	AWG18	AWG16	AWG14	AWG12	AWG10
10m (33ft)	#1(12V)	#1(12V)	#1(12V)	#1(12V)	#1(12V)
25m (83ft)	#2(13V)	#2(13V)	#1(12V)	#1(12V)	#1(12V)
50m (165ft)	#3(14V)	#3(14V)	#2(13V)	#1(12V)	#1(12V)
75m (247ft)			#3(14V)	#2(13V)	#1(12V)
100m (329ft)				#3(14V)	#2(13V)
125m (411ft)				#3(14V)	#2(13V)
150m (493ft)					#3(14V)

For a consumed power of **2/3 of your power supply rated power** (50VA for PF10R200 or 100VA for PF10R201) :

Lenght	AWG18	AWG16	AWG14	AWG12	AWG10
10m (33ft)	#1(12V)	#1(12V)	#1(12V)	#1(12V)	#1(12V)
25m (83ft)	#2(13V)	#2(13V)	#2(13V)	#1(12V)	#1(12V)
50m (165ft)		#3(14V)	#3(14V)	#2(13V)	#1(12V)
75m (247ft)				#2(13V)	#2(13V)
100m (329ft)				#3(14V)	#2(13V)
125m (411ft)					#3(14V)
150m (493ft)					#3(14V)

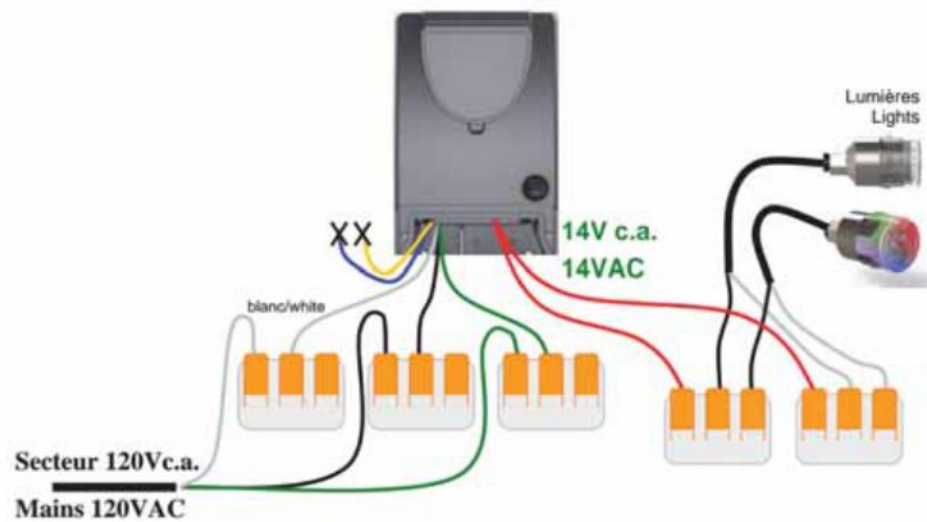
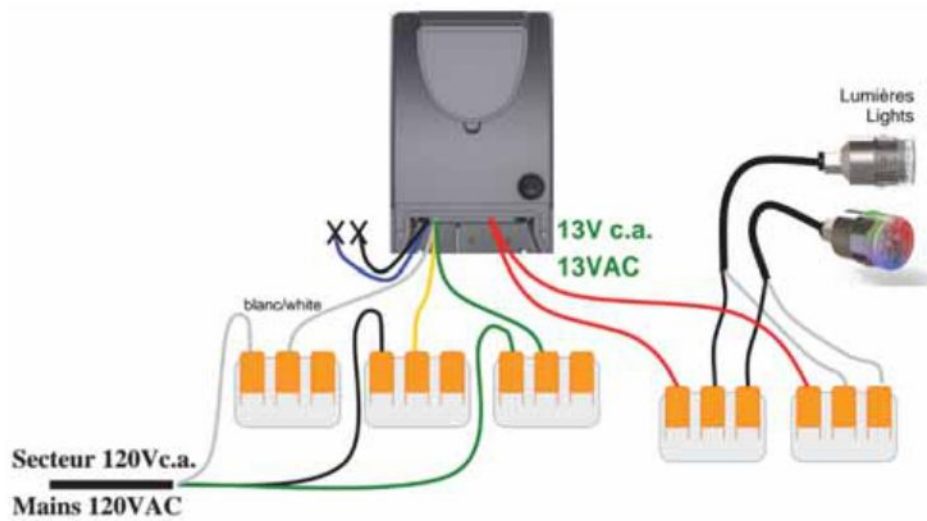
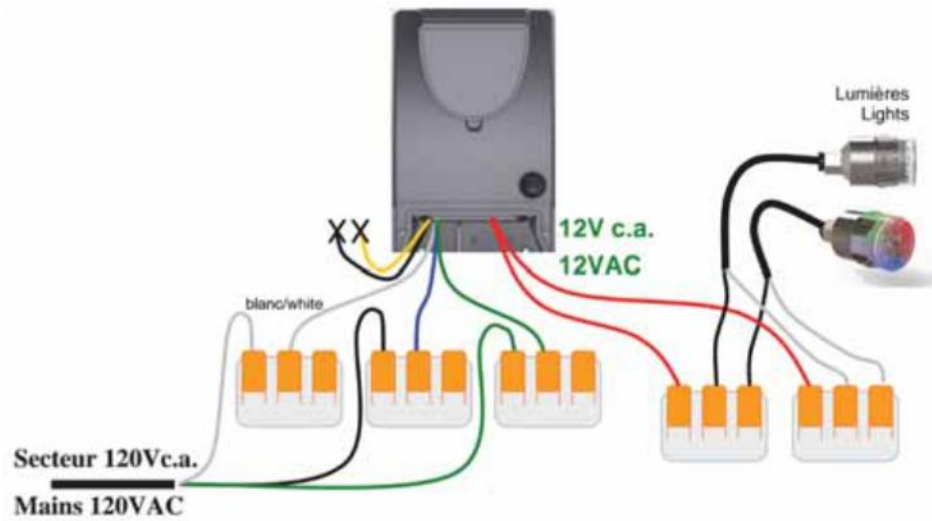
For a consumed power of **100% of your power supply rated power** (75VA for PF10R200 or 150VA for PF10R201) :

Lenght	AWG18	AWG16	AWG14	AWG12	AWG10
10m (33ft)	#2(13V)	#2(13V)	#1(12V)	#1(12V)	#1(12V)
25m (83ft)	#3(14V)	#2(13V)	#2(13V)	#2(13V)	#1(12V)
50m (165ft)			#3(14V)	#2(13V)	#2(13V)
75m (247ft)				#3(14V)	#2(13V)
100m (329ft)				#3(14V)	#3(14V)
125m (411ft)					#3(14V)
150m (493ft)					#3(14V)





Green wire, on primary, has to be connected on earth conductor.



## 6. Operation

On the supply box, a switch powers on the socket.

To protect your installation, this power supply has a circuit breaker (on the front of the box). In case of surcharge, it disconnects the power output. To re-arm the breaker, just push on it, a few minutes after breaking.



## A. Technical support

Website : [www.ccei.ca](http://www.ccei.ca)

Phone : +1.514.963.4226

## B. Declaration of conformity



<p>CCEI Inc. (Québec 1170122155) declares that product Power supply 12/13/14VAC is compliant with the safety and electromagnetic compatibility requirements of European directives 2006/95/CE and 2004/108/CE and is listed UL under the number E478762.</p>		
		<p>Pierre-Yves Flattot Montreal, on 13/01/2017</p>
<p><b>Distributor's stamp</b></p>		
<p><i>Date of sale:</i> ..... <i>Batch N°:</i> .....</p>		